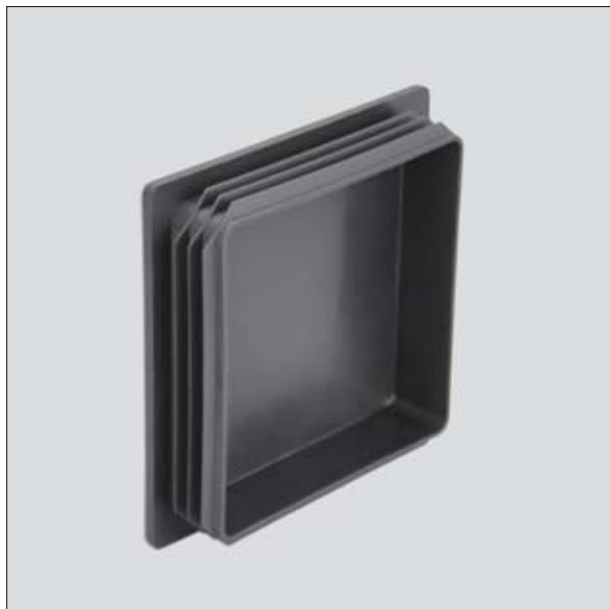


光伏跟踪支架方管堵塞端盖 PV Support bracket plugs



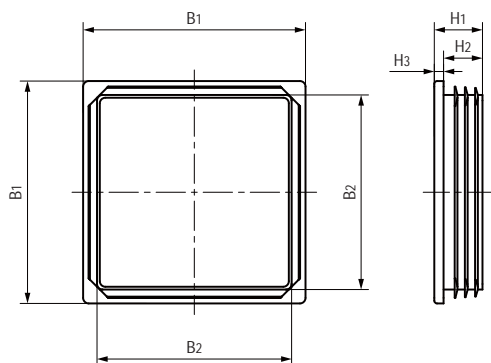
产品特性 Product features

- 带预紧设计塑料端盖
 - 户外耐紫外线老化
 - 耐高低温湿热老化
 - 高强度、易安装
-
- Plastic end caps with pre-load tip design
 - UV resistance
 - High and low temperature, damp-heat aging
 - High strength, easy installation

PL

Plastic Plain Bearings

标准规格 Standard specifications



产品编码 Part No.:

PL-100

方管尺寸 Square profile dimension

产品编码 Part No.	B1 [mm]	B2 [mm]	H1 [mm]	H2 [mm]	H3 [mm]	方管型材壁厚 C-profile thickness [mm]
PL-100	100	85	23	18	5	2~5
PL-120	120	105	26	21	5	2~5
PL-150	150	138	24	20	4	2~5

www.csb-ep.com
sales@csb-ep.com

 电话: 0573 84186133/84185527
 Tel: 0086 573 84187009